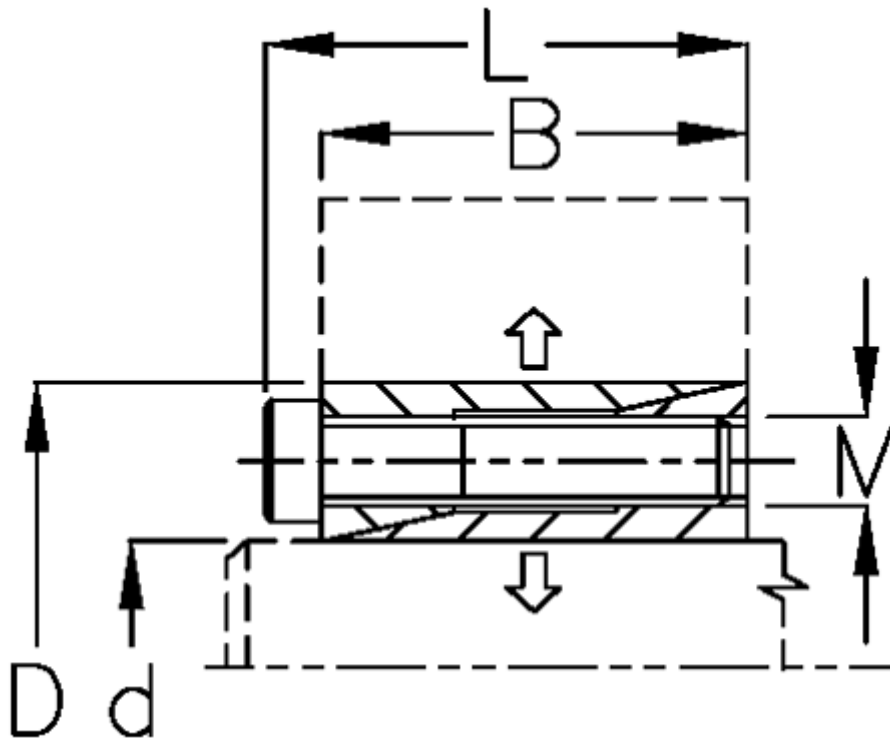


Article number: 43570000635
 Description: Rota-fix shaft-hub connection K 6,35x16
 Note: Self centering. Medium torque

Measures



B mm	= 11
d mm	= 6.35
D mm	= 16
Fit tolerance	= Aksel h8, Nav H8
F kN torque	= 2.0
L mm	= 13.5
M mm	= M2,5
P N/mm ² surface pressure on shaft/hub	= 55

Surface roughness	= R? ? 3.2 μ m
T N m torque	= 6
Ts N m bolt tightening torque	= 1.2